

DFI® EC200 Series Embedded Systems



Features

- Fanless, compact design for industrial applications
- Intel® Atom™ D525 and ICH8M
- Supports DDR3 SODIMM, up to 4GB
- 1 2.5" SATA drive bay, 1 CF socket

System Specifications

PROCESSOR SYSTEM

- CPU: Intel® Atom™ D525
 - Dual-core, 1.8GHz, 1M cache
- Chipset: Intel® ICH8M

MEMORY

- 2 DDR3 800MHz SODIMM sockets
- Supports up to 4GB memory
- Single channel memory interface

GRAPHICS

- Intel® GMA 3150
- Supports 2 independent displays
- VGA display resolution up to 2048x1536 @ 60Hz
- DVI display resolution up to 1920x1080 @ 60Hz
- Display outputs: 1 VGA and 1 DVI

STORAGE

- 1 2.5" SATA drive bay
- 1 CompactFlash socket
- Supports 1 mSATA module via the mini PCIe socket

ETHERNET

- 2 Realtek® RTL8111DL Gigabit Ethernet controllers

AUDIO

- Realtek® ALC262 High Definition Audio
- 2 watt, 4Ω power amplifier

EXPANSION

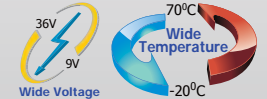
- 1 Mini PCIe slot
- 1 XCT0-3G riser card supports 3G (option)
 - 1 Mini PCIe slot (USB signal)
 - 1 SIM slot

I/O PORTS

- Front Panel
 - 1 HDD LED and 1 Alert LED
 - 1 Power switch and 1 Reset switch
 - 4 USB ports
- Rear Panel
 - 1 Power LED, 1 HDD LED and 1 Alert LED
 - 1 Reset button

EC200 T Series

- * Wide voltage: 9V~36V
- * Wide temperature: -20°C~70°C



POWER

- Power input voltage: 19-24V DC (Standard Voltage)
- Power input voltage: 9-36V DC (Wide Voltage)

ENVIRONMENT

- Temperature
 - Operating: 0°C ~ 50°C (Standard Temperature)
 - Operating: -20°C ~ 70°C (Wide Temperature)
 - Storage: -20°C ~ 70°C
- Operating Vibration
 - MIL-STD-810F 514-5C-2 (HDD)
- Operating Shock
 - Half sine wave 15G, 11ms, 3 shock per axis

CONSTRUCTION

- Aluminum + SECC

MOUNTING

- Wall/VESA mount

DIMENSIONS

- 275mm x 55mm x 203mm (W x H x D)

WEIGHT

- 2.68 kg

OS SUPPORT

- Windows 7 Embedded, Windows 7, Windows XP SP3, Windows XP Embedded, Linux

OTHER FEATURES

- Watchdog Timer function

CERTIFICATION

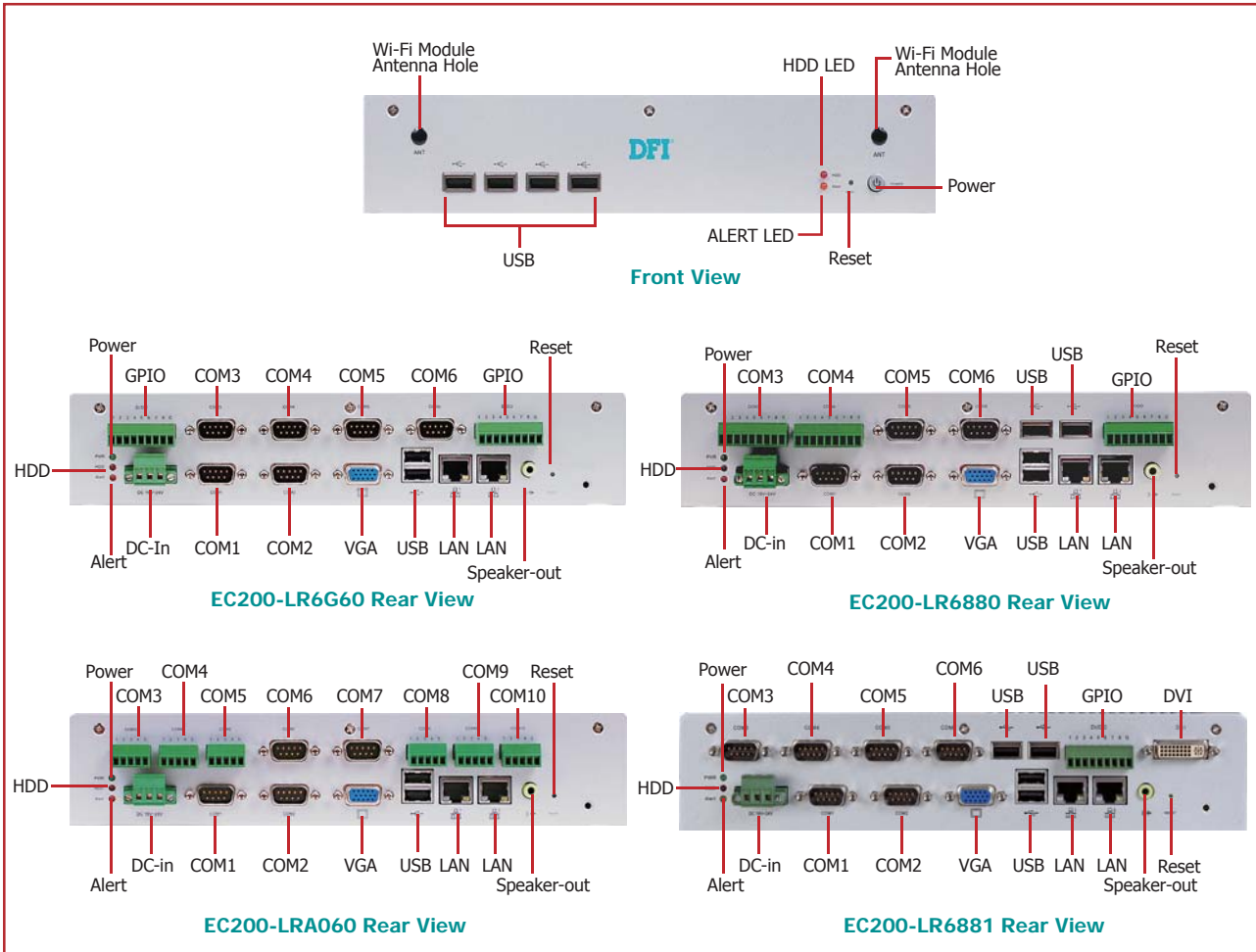
- CE, FCC Class A, UL and RoHS

Rear I/O Ports	System Models			
Wide Voltage/ Temperature	EC200-LRT6880	EC200-LRT6881	EC200-LRT6G60	EC200-LRTA060
Standard Voltage/ Temperature	EC200-LR6880	EC200-LR6881	EC200-LR6G60	EC200-LRA060
Power jack	1	1	1	1
Speaker-out	1	1	1	1
VGA	1	1	1	1
DVI	0	1	0	0
LAN	2	2	2	2
COM DB-9	4	6	6	4
COM 9-pole terminal block	2	0	0	0
COM 5-pole terminal block	0	0	0	6
USB	4	4	2	2
GPIO 9-pole terminal block	8-bit	8-bit	16-bit	0

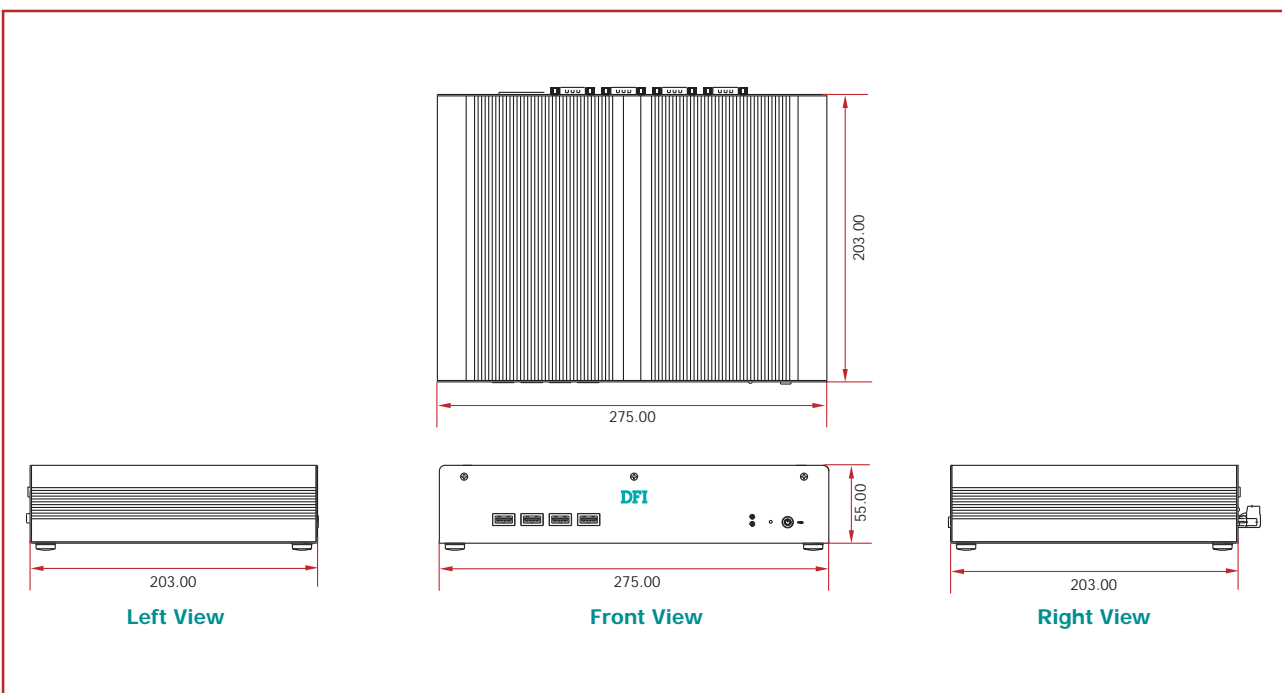
EC200 Series Embedded Systems



Panel

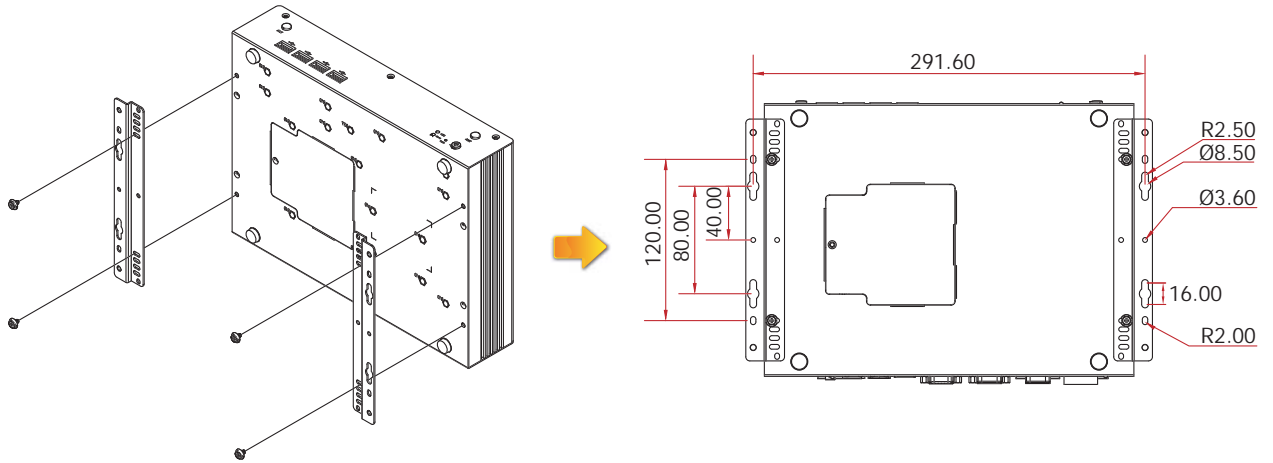


Dimensions

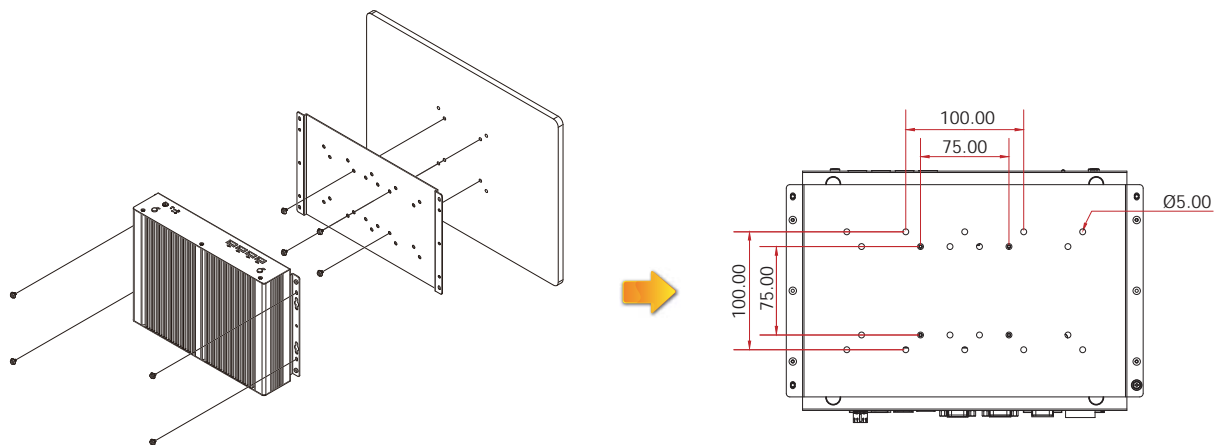


Mounting

Wall Mounting



VESA Mounting



Packing List

- 1 EC200 system unit
- 1 HDD drive bay kit
 - 2 Brackets
 - 1 SATA data/power cable
 - 4 Bracket screws
 - 4 HDD screws
- Terminal blocks
- 1 60W power adapter
- 1 Quick Installation Guide
- 1 CD disk includes:
 - Drivers / Manual

Ordering Information

Model Name	Part Number	Description
EC200-LR6880	750-EC2000-000G	Fanless, D525, 2 LAN, 1 VGA, 6 COM, 8-bit GPIO, 8 USB, F/G RoHS
EC200-LR6G60	750-EC2000-200G	Fanless, D525, 2 LAN, 1 VGA, 6 COM, 16-bit GPIO, 6 USB, F/G RoHS
EC200-LRA060	750-EC2000-400G	Fanless, D525, 2 LAN, 1 VGA, 10 COM, 6 USB, F/G RoHS
EC200-LR6881	750-EC2000-100G	Fanless, D525, 2 LAN, 1 VGA, 1 DVI-I, 6 COM, 8-bit GPIO, 8 USB, F/G RoHS
EC200-LRT6880	750-EC2000-500G	With wide temperature, Fanless, D525, 2 LAN, 1 VGA, 6 COM, 8-bit GPIO, 8 USB, F/G RoHS
EC200-LRT6G60	750-EC2000-700G	With wide temperature, Fanless, D525, 2 LAN, 1 VGA, 6 COM, 16-bit GPIO, 6 USB, F/G RoHS
EC200-LRTA060	750-EC2000-900G	With wide temperature, Fanless, D525, 2 LAN, 1 VGA, 10 COM, 6 USB, F/G RoHS
EC200-LRT6881	750-EC2000-600G	With wide temperature, Fanless, D525, 2 LAN, 1 VGA, 1 DVI-I, 6 COM, 8-bit GPIO, 8 USB, F/G RoHS

Optional Items

Optional Items	Part Number	Description
Memory	785-RSOD31G	SODIMM, DDR3, 1GB, RoHS
	785-RSOD32G	SODIMM, DDR3, 2GB, RoHS
	785-RSOD34G	SODIMM, DDR3, 4GB, RoHS
HDD	785-H25250G	2.5" SATA HDD, 250GB, RoHS
	785-H25320G	2.5" SATA HDD, 300GB, RoHS
	785-S25128G	2.5" SATA SSD, 128GB MLC, RoHS
CF	785-CF01G	CF CARD, 1G Industrial Grade SLC
	785-CF02G	CF Card, 2G, Industrial Grade SLC
	785-CF04G	CF Card, 4G, Industrial Grade SLC
	785-CF08G	CF Card, 8G, Industrial Grade SLC
Power Cord	785-PWRD	Power cord, Standards (USA/EUR/CH), 1.8m, RoHS
Wall Mount	785-EC3WMK	EC300 Series Wall Mount Kit
VESA Mount	785-EC2VAK	EC200 Series VESA Mount Kit
3G	785-EC3G	For EC300/310/320/321 Series and EC200/210/220/221 Series 3G Module

DFI reserves the right to change the specifications at any time prior to the product's release. Changes thereafter will be based on the product's revision. Please contact your sales representative for the exact revision offered in your area. All product names mentioned are trademarks of their respective companies. © December 28, 2012 DFI Inc.