



KS210-IMX6

Freescal

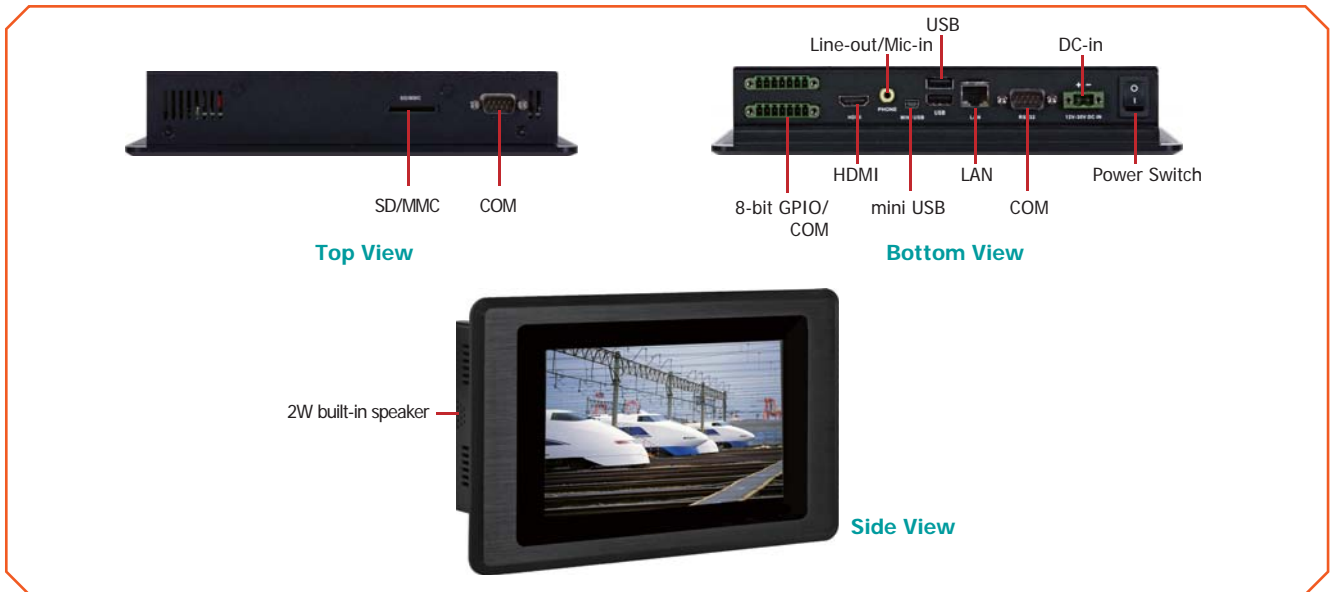


Features

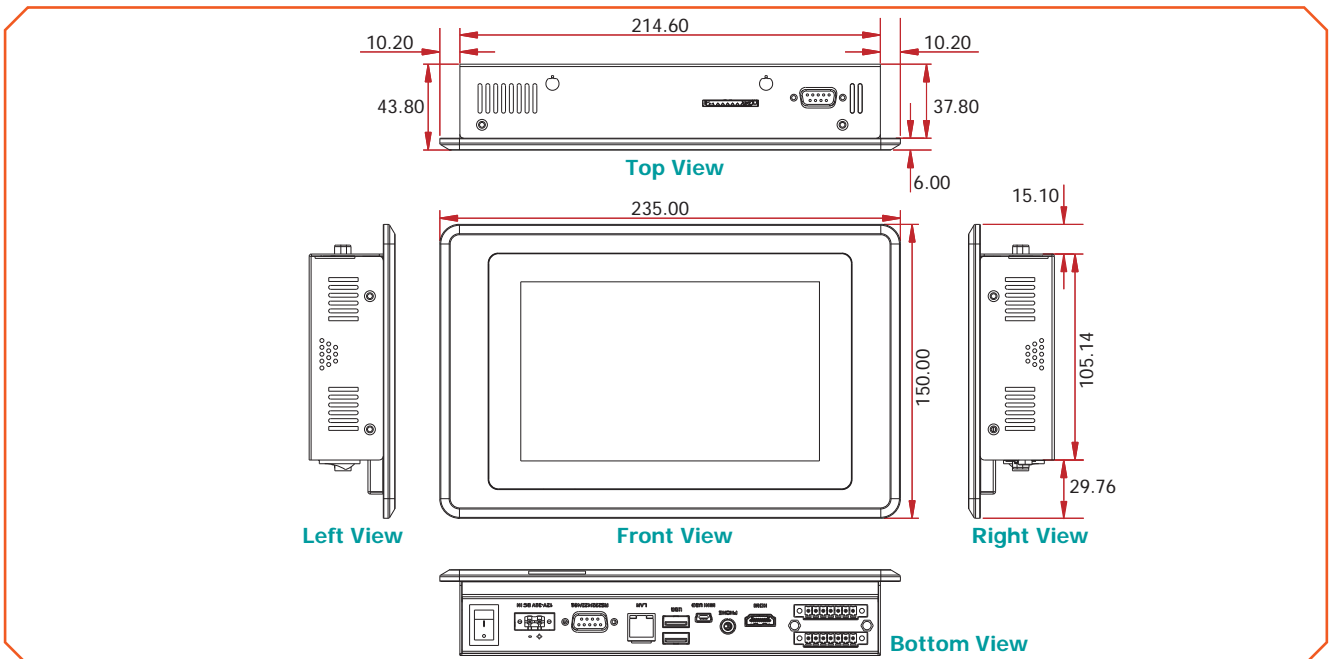
- 7" WVGA Touch Screen Fanless Panel PC
- 1GB DDR3 onboard
- 4GB eMMC onboard
- 1 SD/MMC socket
- 1 HDMI, 2 USB 2.0, 1 mini USB, 1 LAN



Panel



Dimensions



KS210-IMX6

► Specifications

PROCESSOR

- Freescale i.MX 6 series processor
 - i.MX6Q: i.MX 6Quad at 1.0GHz, four cortex-A9 cores
 - i.MX6D: i.MX 6Dual at 1.0GHz, two cortex-A9 cores
 - i.MX6L: i.MX 6DualLite at 1.0GHz, two cortex-A9 cores
 - i.MX6S: i.MX 6Solo at 1.0GHz, one cortex-A9 core

SYSTEM MEMORY

- DDR3 onboard
- Onboard memory: 1GB (default)
 - 2GB (option)

LCD and TOUCH SCREEN

- 7" (1024x600) WVGA TFT touch screen LCD
- 400 NITS
- Projected capacitive touch screen
- 50,000 MTBF LED backlight

STORAGE

- 1 SD/MMC socket
- Supports 4GB (standard), 8GB and 16GB eMMC onboard

ONBOARD LAN FEATURES

- One Atheros AR8033 Ethernet PHY
- Supports 10Mbps, 100Mbps data transmission

AUDIO

- 2 built-in 2W speakers (left and right sides)
- 1 Line-out/Mic-in jack

I/O PORTS

- Bottom
 - 1 DB-9 RS232 serial port
 - 1 HDMI port
 - 1 mini USB port (Type B)
 - 2 USB 2.0/1.1 ports (Type A)
 - 1 Line-out/Mic-in jack
 - 1 2-pole terminal block DC-in
 - 1 LAN port
 - 8-bit GPIO 7-pole terminal block (4-bit in/ 4-bit out) or DB-9 RS232/422/485 serial port
 - 1 Power switch
- Side
 - 2 built-in 2W speakers (left and right sides)
- Top
 - 1 SD/MMC card socket
 - 1 DB-9 RS232/422/485 serial port

EXPANSION SLOTS

- 2 Mini PCIe slots
 - Supports PCIe and USB signals
 - Supports full size Mini PCIe card
 - One slot supports mSATA module
- 1 SIM card socket

POWER

- Power input voltage: 9~36V DC-in

FRONT PANEL PROTECTION

- IP65 (Dust Tight; Water Proof protection)

CONSTRUCTION

- Aluminum front bezel, rugged metal housing

MOUNTING

- Wall mount (VESA 75x75)
- Panel mount (Mounting clamp)

ENVIRONMENT

- Temperature
 - Operating: -20°C ~ 60°C
 - Storage: -30°C ~ 80°C
- Relative Humidity
 - 85% RH at 65°C

VIBRATION

- Sweep frequency: 10~500~10 Hz/1min
- Amplitude: 0.75mm
- IEC 68-2-64 compliant

SHOCK

- Operating: 3G peak acceleration (11 m sec. duration)
- Non-operating: 10G peak acceleration (11 m sec. duration)
- IEC 68-2-64 compliant

DIMENSIONS

- 235mm x 150mm x 43.80mm (W x H x D)

WEIGHT

- 2.10 kg

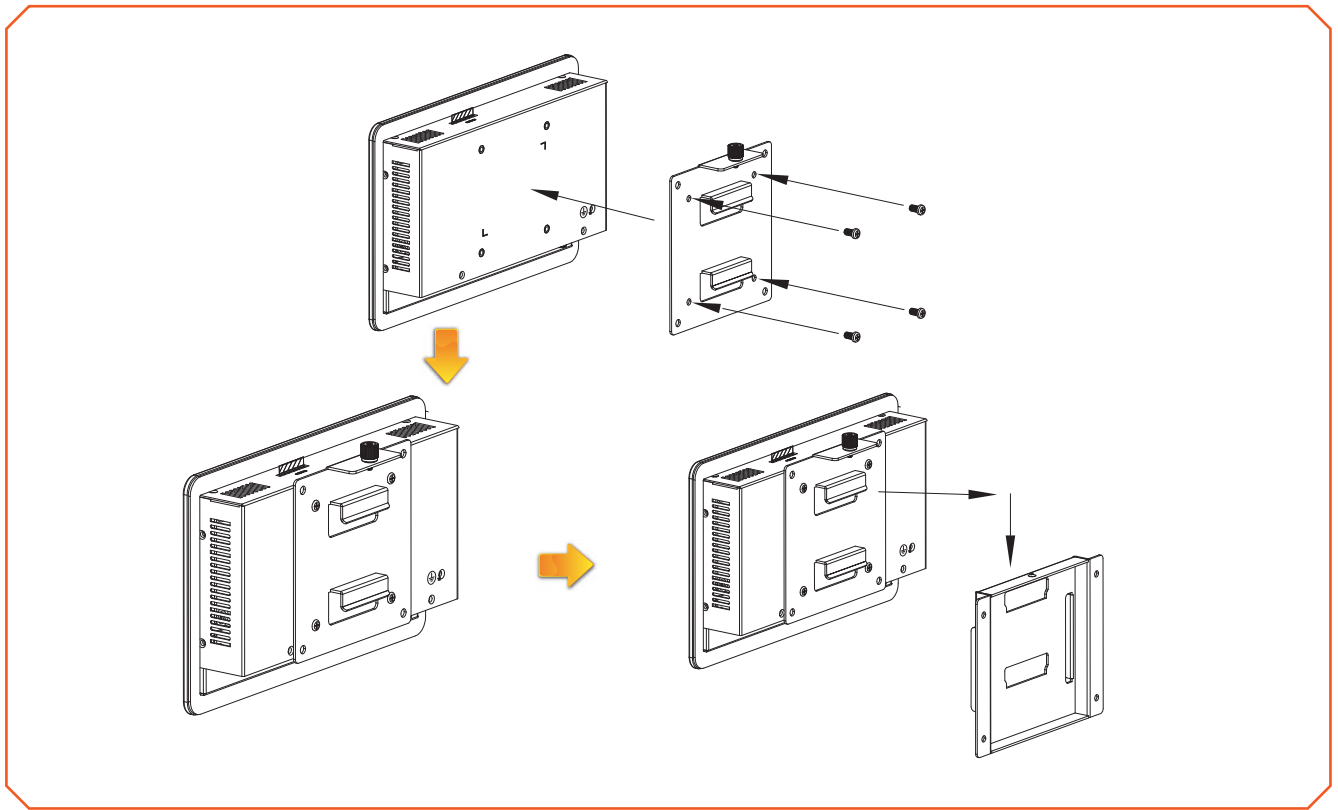
OS SUPPORT

- Android 4.0
- LTIB Linux 3.0.35

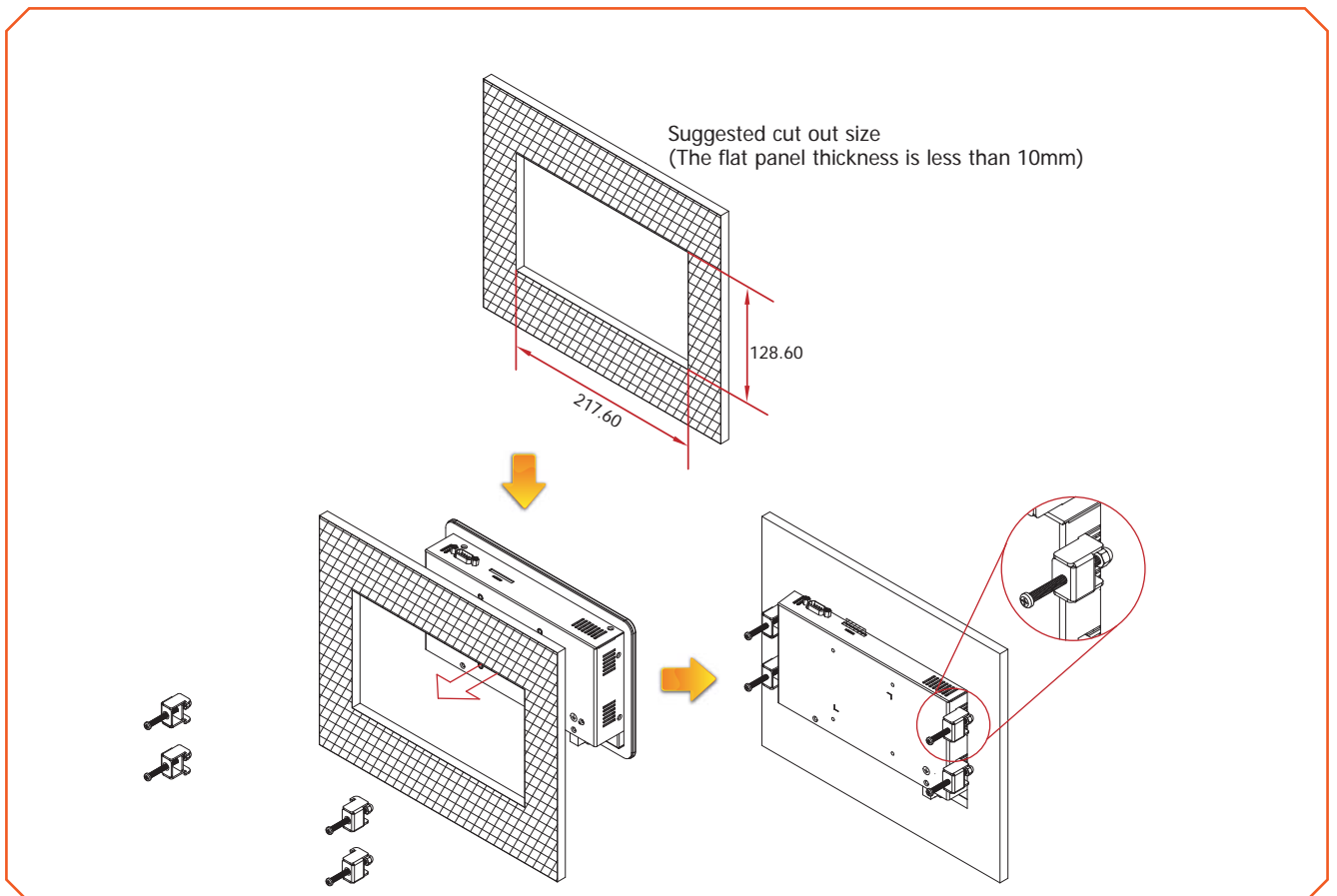


KS210-IMX6

▶ Wall Mounting



▶ Panel Mounting



KS210-IMX6

Ordering Information

Model Name	Part Number	Description
KS210-204P6	750-KS2101-100G	7" Panel PC, Freescale i.MX 6DualLite, 2GB DDR3 onboard, 4GB eMMC onboard, 3 COM, Capacitive Touch, RoHS
	750-KS2101-200G	7" Panel PC, Freescale i.MX 6DualLite, 2GB DDR3 onboard, 4GB eMMC onboard, 2 COM, 8-bit GPIO, Capacitive Touch, RoHS
KS210-104P6	750-KS2101-000G	7" Panel PC, Freescale i.MX 6DualLite, 1GB DDR3 onboard, 4GB eMMC onboard, 3 COM, Capacitive Touch, RoHS
	750-KS2101-700G	7" Panel PC, Freescale i.MX 6DualLite, 1GB DDR3 onboard, 4GB eMMC onboard, 2 COM, 8-bit GPIO, Capacitive Touch, RoHS
KS210-108P6	750-KS2101-A00G	7" Panel PC, Freescale i.MX 6Quad, 1GB DDR3 onboard, 8GB eMMC onboard, 2 COM, 8-bit GPIO, Capacitive Touch, RoHS
	750-KS2101-B00G	7" Panel PC, Freescale i.MX 6Dual, 1GB DDR3 onboard, 8GB eMMC onboard, 2 COM, 8-bit GPIO, Capacitive Touch, RoHS
	750-KS2101-C00G	7" Panel PC, Freescale i.MX 6DualLite, 1GB DDR3 onboard, 8GB eMMC onboard, 2 COM, 8-bit GPIO, Capacitive Touch, RoHS
	750-KS2101-D00G	7" Panel PC, Freescale i.MX 6Solo, 1GB DDR3 onboard, 8GB eMMC onboard, 2 COM, 8-bit GPIO, Capacitive Touch, RoHS

Optional Items

Optional Items	Part Number	Description
Wall Mount	785-PPCWMK	Standard Panel PC Wall Mount kit
Panel Mount	785-070PMK	7" Panel PC Panel Mount kit
Power Cord	785-PWRD	Power cord, Standards (USA/EUR/CH), 1.8m, RoHS

Packing List

• 1 KS210-IMX6 Touch Panel PC
• 1 Poron foam
• 1 24V power adapter
• 3 Terminal blocks
• 1 Quick Installation Guide
• 1 CD disk includes:
- Manual