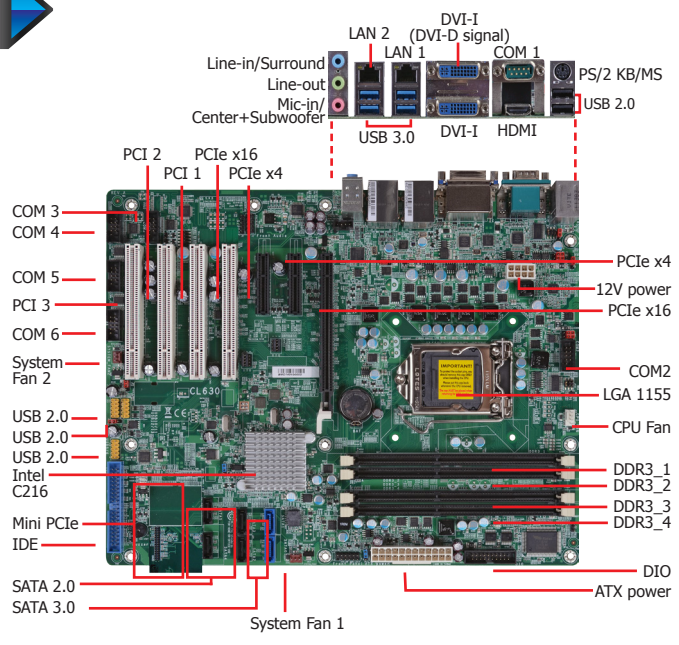




# CL630-CRM

Workstation

C216

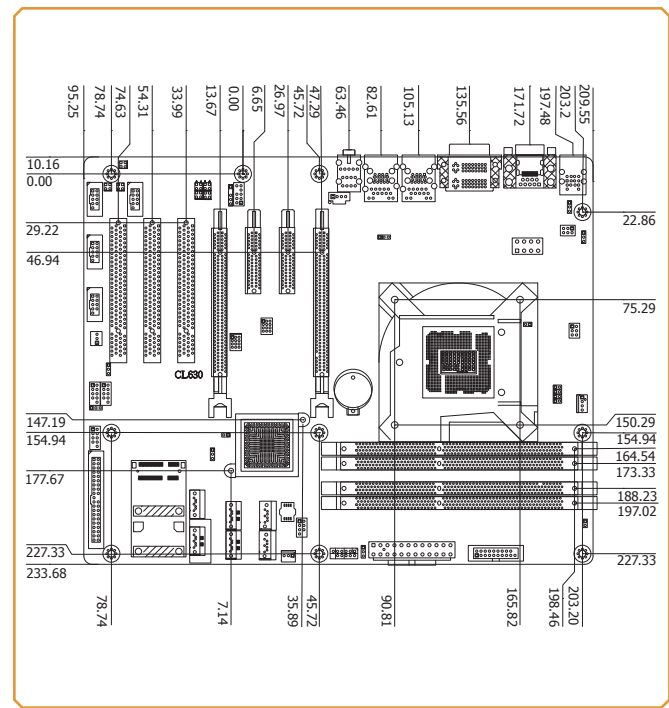


## Features

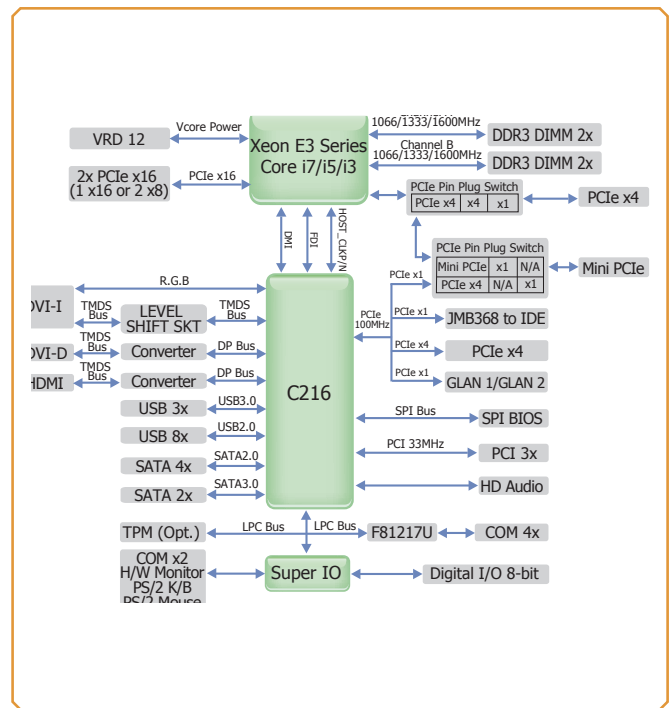
MEMORY	4 DDR3 DIMM up to 32GB
EXPANSION	2 PCIe x16 (1 x16 signal or 2 x8 signal) 2 PCIe x4 (1 x4 signal and 1 x1/x4 signal) 1 Mini PCIe 3 PCI
DISPLAY OUTPUTS	3 Independent Displays 1 HDMI, 1 DVI-I, 1 DVI-D
LAN	2 LAN
COM	6 COM
USB	12 USB: 4 USB 3.0, 8 USB 2.0
STORAGE	6 SATA: 2 SATA 3.0, 4 SATA 2.0 1 IDE
DIO	8-bit DIO



## Mechanical Drawing



## Block Diagram



## CL630-CRM

► **Specifications** \* Optional and is not supported in standard model. Please contact your sales representative for more information.**PROCESSOR**

- LGA 1155 socket for:
  - 3rd Generation processors (22nm process technology)
    - : Intel® Xeon® E3-1275v2 (8M Cache, up to 3.9GHz); 77W
    - : Intel® Xeon® E3-1225v2 (8M Cache, up to 3.6GHz); 77W
    - : Intel® Core™ i7-3770 (8M Cache, up to 3.9GHz); 77W
    - : Intel® Core™ i5-3550S (6M Cache, up to 3.7GHz); 65W
    - : Intel® Core™ i3-3220 (3M Cache, 3.3GHz); 55W
    - : Intel® Pentium® G2120 (3M Cache, 3.1GHz); 65W
  - 2nd Generation processors (32nm process technology)
    - : Intel® Xeon® E3-1275 (8M Cache, up to 3.8GHz); 95W
    - : Intel® Xeon® E3-1225 (6M Cache, up to 3.4GHz); 95W
    - : Intel® Core™ i7-2600 (8M Cache, up to 3.8GHz); 95W
    - : Intel® Core™ i5-2400 (6M Cache, up to 3.4GHz); 95W
    - : Intel® Core™ i3-2120 (3M Cache, 3.3GHz); 65W
    - : Intel® Pentium® G850 (3M Cache, 2.9GHz); 65W

**CHIPSET**

- Intel® C216 Express chipset

**SYSTEM MEMORY**

- Four 240-pin DDR3 DIMM sockets
- Supports DDR3 1333/1600MHz (3rd generation processors)
- Supports DDR3 1066/1333MHz (2nd generation processors)
- Supports dual channel memory interface
- Supports up to 32GB system memory
- DRAM device technologies: 1Gb, 2Gb and 4Gb DDR3 DRAM technologies are supported for x8 and x16 devices, unbuffered, ECC

**EXPANSION SLOTS**

- 2 PCIe x16 slots
  - Supports Gen 3.0 (3rd generation processors)
  - Supports Gen 2.0 (2nd generation processors)
  - 1 x16 signal or 2 x8 signals
- 2 PCIe x4 slots (PCIe 2.0)
  - 1 x4 signal and 1 x1/x4 signal
- 1 Mini PCIe slot: PCIe and USB signals (PCIe 2.0)
  - Supports half size and/or full size Mini PCIe card
- 3 PCI slots (PCI 2.3)

**ONBOARD GRAPHICS FEATURES**

- Intel® HD Graphics 4000P
- Display ports: HDMI, 2 DVI-I (1 supports DVI-D signal only)
- HDMI and DVI display resolution up to 1920x1200
- VGA display resolution up to 2048x1536 pixels with 32-bit color at 75Hz
- Intel® Clear Video Technology
- Intel® Advanced Vector Extensions (Intel® AVX) Instructions
- Supports DirectX 11 and OGL 3.0

**ONBOARD AUDIO FEATURES**

- Realtek ALC886 5.1-channel High Definition Audio
- Audio outputs: Mic-in/Center+Subwoofer, line-in/surround and line-out
- S/PDIF audio interface

**ONBOARD LAN FEATURES**

- Intel® WG82579LM with iAMT8.0 Gigabit Ethernet Phy
- Intel® WG82574L PCI Express Gigabit Ethernet controller
- Integrated 10/100/1000 transceiver
- Fully compliant with IEEE 802.3, IEEE 802.3u, IEEE 802.3ab

**SERIAL ATA (SATA) INTERFACE**

- 6 Serial ATA ports
  - 2 SATA 3.0 ports with data transfer rate up to 6Gb/s
  - 4 SATA 2.0 ports with data transfer rate up to 3Gb/s (SATA port 4 provides adequate space for SATA DOM)
- Integrated Advanced Host Controller Interface (AHCI) controller
- Supports RAID 0/1/5/10

**INTEL ACTIVE MANAGEMENT TECHNOLOGY (AMT)**

- Supports iAMT8.0
- Out-of-band system access
- Remote troubleshooting and recovery
- Hardware-based agent presence checking
- Proactive alerting
- Remote hardware and software asset tracking

**TRUSTED PLATFORM MODULE (TPM)\***

- Provides a Trusted PC for secure transactions
- Provides software license protection, enforcement and password protection

► **Packing List**

- |                                    |
|------------------------------------|
| • 1 CL630-CRM motherboard          |
| • 2 USB port cables (with bracket) |
| • 2 Serial ATA data cables         |
| • 2 COM port cables (with bracket) |
| • 1 I/O shield                     |
| • 1 DVD                            |

**USB INTERFACE**

- XHCI Host Controller supports up to 4 super speed USB 3.0 ports

**REAR PANEL I/O PORTS**

- 1 mini-DIN-6 port for PS/2 mouse/keyboard
- 4 USB 3.0/2.0/1.1 ports
- 2 USB 2.0/1.1 ports
- 1 DB-9 serial port
  - Supports RS232/422/485 (RS232 and/or Power)
- 1 HDMI port
- 2 DVI-I ports (1 supports DVI-D signal only)
- 2 RJ45 LAN ports
- Line-in/surround, Line-out, and Mic-in/Center+Subwoofer jacks

**I/O CONNECTORS**

- 3 connectors for 6 external USB 2.0/1.1 ports
- 5 connectors for 5 external serial ports
  - 1 RS232/422/485 (RS232 and/or Power)
  - 4 RS232
- 1 8-bit Digital I/O connector
- 1 front audio connector for line-out and mic-in jacks
- 1 CD-in connector
- 1 S/PDIF connector
- 6 Serial ATA ports (2 SATA 3.0; 4 SATA 2.0)
- 1 IDE connector
- 1 24-pin ATX power connector
- 1 8-pin 12V power connector
- 1 chassis intrusion connector
- 1 front panel connector
- 3 fan connectors

**BIOS**

- AMI BIOS
  - 64Mbit SPI BIOS

**ENERGY EFFICIENT DESIGN**

- Supports ErP Lot6 power saving\*
- ACPI v3.0 specification
- System Power Management
- Wake-On-Events include:
  - Wake-On-PS/2 KB/Mouse
  - Wake-On-USB KB/Mouse
  - Wake-On-LAN
  - RTC timer to power-on the system
- CPU stopped clock control
- AC power failure recovery

**DAMAGE FREE INTELLIGENCE**

- Monitors CPU/system temperature and overheat alarm
- Monitors VCore/5V/3.3V/V<sub>DDIMM</sub>/12V/5VSB voltages and failure alarm
- Monitors CPU/system fan speed and failure alarm
- Read back capability that displays temperature, voltage and fan speed
- Watchdog timer function

**POWER CONSUMPTION**

- 86.49 W with E3-1275 at 3.40GHz and 4x 1GB DDR3 DIMM

**OS SUPPORT**

- Windows XP Professional x86 & SP3 (32-bit)
- Windows XP Professional x64 & SP2 (64-bit)
- Windows 7 Ultimate x86 & SP1 (32-bit)
- Windows 7 Ultimate x64 & SP1 (64-bit)
- Windows 8 Enterprise x86 (32-bit)
- Windows 8 Enterprise x64 (64-bit)

**TEMPERATURE**

- Operating: 0°C to 60°C
- Storage: -20°C to 85°C

**HUMIDITY**

- 10% to 90%

**MTBF**

- 421,414 hrs @ 25°C; 232,907 hrs @ 45°C
- Calculation model: Telcordia Issue 2, Method I Case 3
- Environment: GB, GC – Ground Benign, Controlled

**DIMENSIONS**

- ATX form factor
- 305mm (12") x 244mm (9.6")

**CERTIFICATION**

- CE, FCC Class B, RoHS, UL

► **Optional Items**

- |                             |
|-----------------------------|
| • USB port cable            |
| • Serial ATA data cable     |
| • Serial ATA power cable    |
| • COM port cable            |
| • IDE cable                 |
| • I/O shield                |
| • PS/2 Keyboard/Mouse cable |