



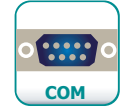
KS104-CD

Atom

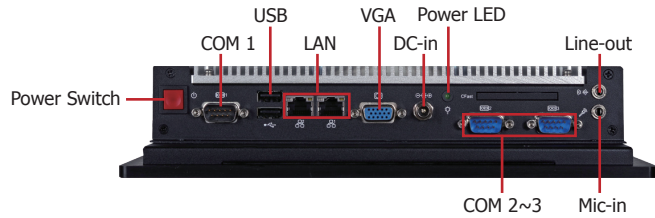


Features

- 10.4" Touch Screen Fanless Panel PC
- IP65 front panel protection
- 1 2.5" SATA drive bay, 1 CF
- VESA/Panel Mount

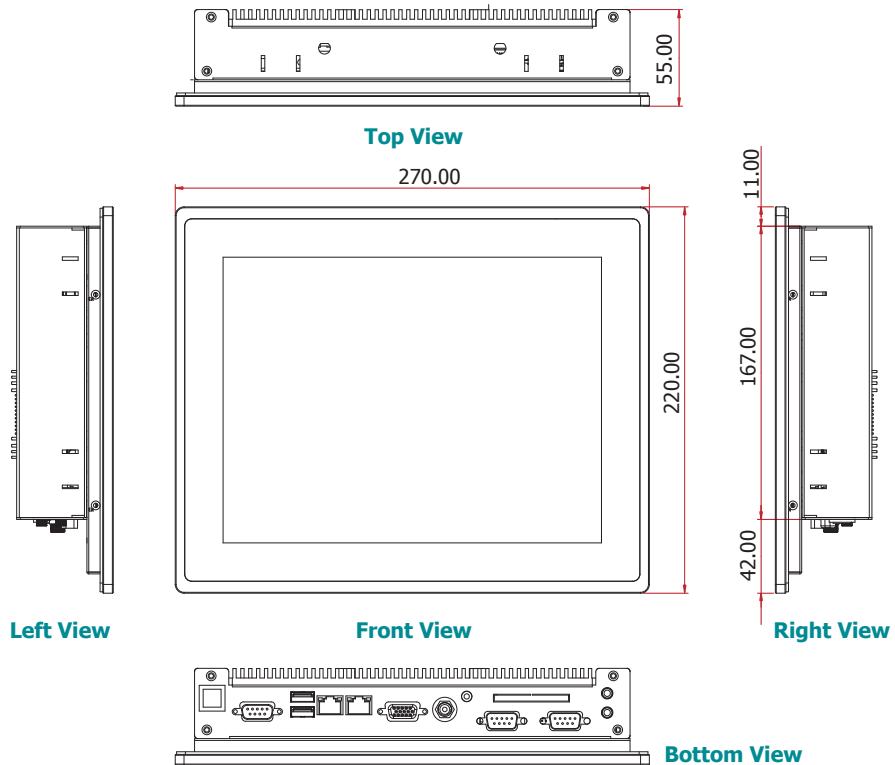


Panel



Bottom View

Dimensions



KS104-CD

Specifications * Optional and is not supported in standard model. Please contact your sales representative for more information.

PROCESSOR

- Intel® Atom™ N2800, 1.86GHz, 2x 512K L2, 6.5W TDP, dual-core

CHIPSET

- Intel® NM10 Express chipset

MEMORY

- One 204-pin DDR3 SODIMM socket
- Supports DDR3 1066MHz
- Supports single channel memory interface
- Supports up to 4GB system memory

LCD and TOUCH SCREEN

- 10.4" (1024x768) TFT touch screen LCD
- Support projected capacitive touch screen or 5-wire resistive touch screen
- 50,000 MTBF LED backlight
- 350 NITS

STORAGE

- 1 2.5" SATA drive bay
- 1 CompactFlash socket*

GRAPHICS

- Intel® GMA 3650
- Display port: VGA
- VGA: resolution up to 1920x1200 @ 60Hz

ETHERNET

- 2 Intel® 82574 Gigabit Ethernet Controllers
- Integrated 10/100/1000 transceiver
- Fully compliant with IEEE 802.3, IEEE 802.3u, IEEE 802.3ab

AUDIO

- Realtek ALC886 2-channel High Definition Audio

I/O PORTS

- Bottom
 - 1 DB-9 RS232/422/485 serial port
 - 2 DB-9 RS232 serial ports
 - 2 Type A USB 2.0/1.1 ports
 - 1 DB-15 VGA port
 - 2 RJ45 LAN ports
 - 1 Line-out jack
 - 1 Mic-in jack
 - 1 12V DC-in jack
 - 1 Power switch
 - 1 Power LED

EXPANSION

- 1 Mini PCIe slot
 - Supports PCIe (PCIe and USB signals) or mSATA module
 - Supports half size card

ENVIRONMENT

- Temperature
 - Operating: -20°C ~ 45°C (with SSD/HDD)
 - Storage: -30°C ~ 80°C
- Relative Humidity
 - 85% RH at 45°C

VIBRATION

- Operating: 1G, 5~500Hz
- Non-operating: 1.5G, 10~500Hz
- IEC 68-2-64 compliant

SHOCK

- Operating: 3G peak acceleration (11 msec. duration)
- Non-operating: 10G peak acceleration (11 msec. duration)
- IEC 68-2-27 compliant

FRONT PANEL PROTECTION

- IP65 (Dust Tight; Water Proof protection)

CONSTRUCTION

- Aluminum front bezel
- Rear panel: aluminum

MOUNTING

- Wall mount (VESA 75x75)*
- Panel mount (Mounting clamp)*

DIMENSIONS

- 270mm x 220mm x 55mm (W x H x D)

WEIGHT

- 2.86 kg

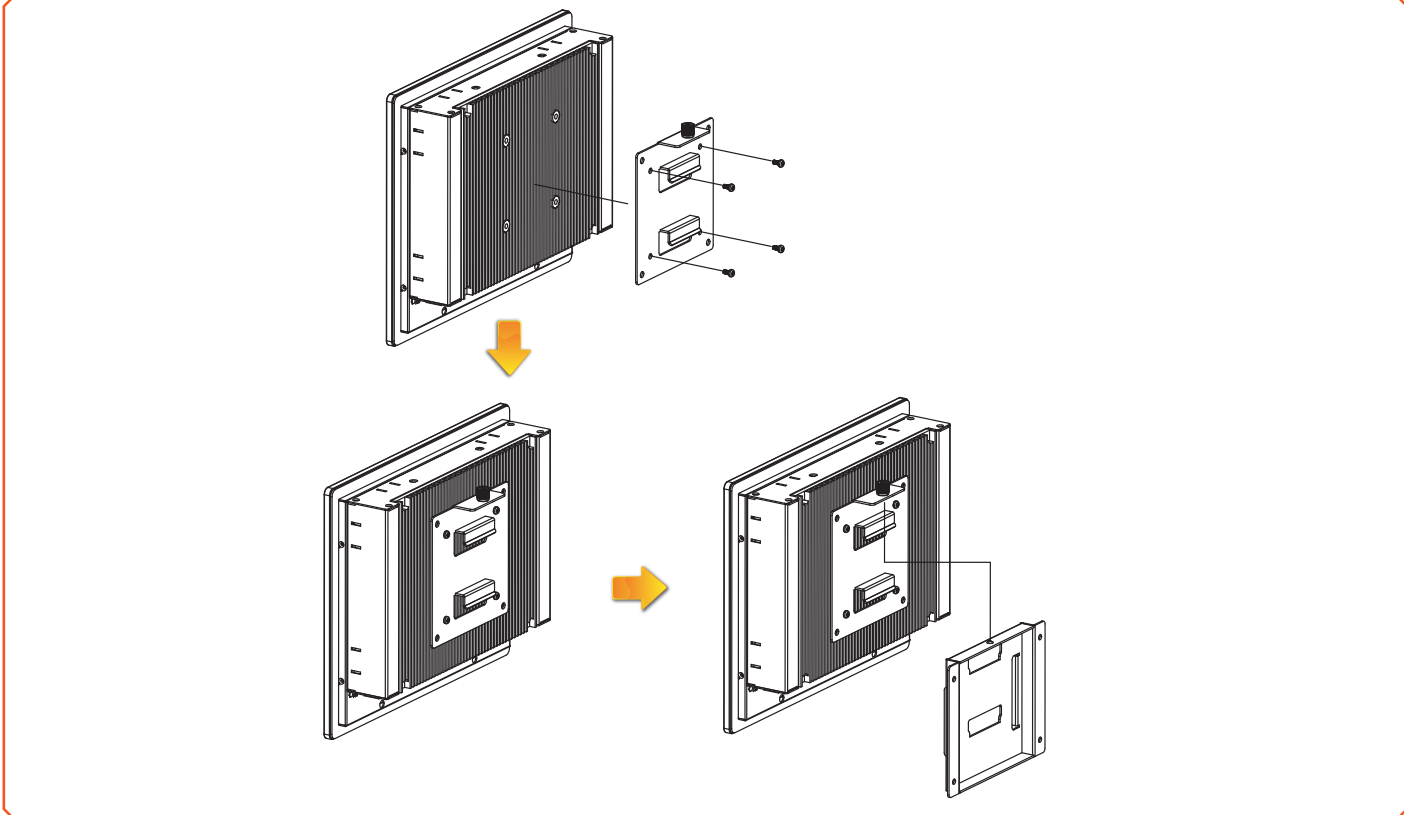
OS SUPPORT

- Windows 7 (32-bit), WES 7 (32-bit)
- Linux (Project base upon request only, with 3 months lead time)

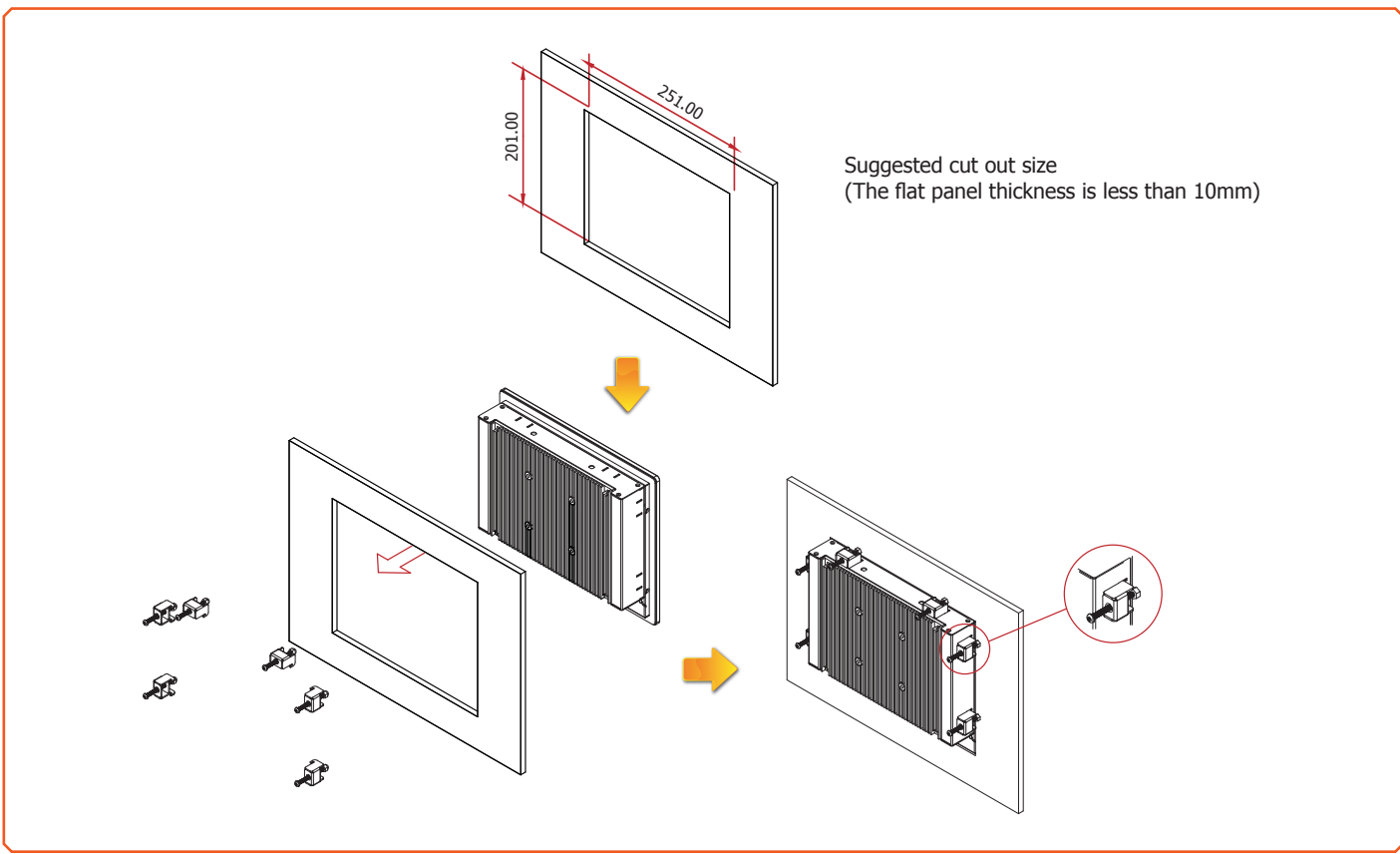


KS104-CD

Wall Mounting



Panel Mounting



KS104-CD

► Ordering Information

Model Name	Part Number	Description
KS104-CD2800P	750-KS1040-100G	10.4" Panel PC, Intel® Atom™ N2800, Capacitive Touch Screen
KS104-CD2800R	750-KS1040-000G	10.4" Panel PC, Intel® Atom™ N2800, Resistive Touch Screen

► Optional Items

Optional Items	Part Number	Description
Memory	785-RSOD34G-L	SODIMM, DDR3L Module (supports dual voltage 1.5V DDR3/1.35V DDR3L), 4GB, RoHS
	785-RSOD32G-L	SODIMM, DDR3L Module (supports dual voltage 1.5V DDR3/1.35V DDR3L), 2GB, RoHS
HDD	785-H25500G	2.5" SATA HDD, 500GB, RoHS
	785-H25320G	2.5" SATA HDD, 320GB, RoHS
	785-S251TBG	2.5" SATA SSD, 1TB MLC, RoHS
	785-S25512G	2.5" SATA SSD, 512GB MLC, RoHS
	785-S25256G	2.5" SATA SSD, 256GB MLC, RoHS
	785-S25128G	2.5" SATA SSD, 128GB MLC, RoHS
	785-S25064G	2.5" SATA SSD, 64GB MLC, RoHS
	785-S25032G	2.5" SATA SSD, 32GB MLC, RoHS
mSATA	785-MS128GMF	mSATA Card, 128GB MLC, RoHS
	785-MS64GMF	mSATA Card, 64GB MLC, RoHS
	785-MS32GMF	mSATA Card, 32GB MLC, RoHS
	785-MS16GMF	mSATA Card, 16GB MLC, RoHS
	785-MS08GMF	mSATA Card, 8GB MLC, RoHS
	785-MS04GMF	mSATA Card, 4GB MLC, RoHS
Wi-Fi	761-110091-000G	Wi-Fi kit, RoHS
Power Cord	785-PWRD	Power cord, Standards (USA/EUR/CH), 1.8m, RoHS
Power Adapter	671-106002-102G	60W, 12V/5A
Panel Mount	785-070PMK	Panel PC Panel Mount Kit, RoHS
Wall Mount	785-PPCWMK	Standard Panel PC Wall Mount kit

► Packing List

• 1 KS104-CD Touch Panel PC
• 1 Poron foam
• 1 Quick Installation Guide
• 1 CD disk includes:
- Manual