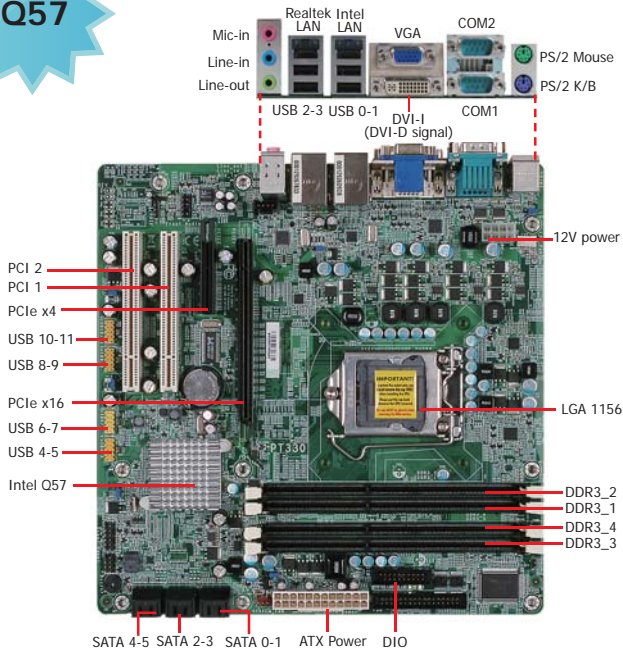


DFI® PT330-DRM microATX



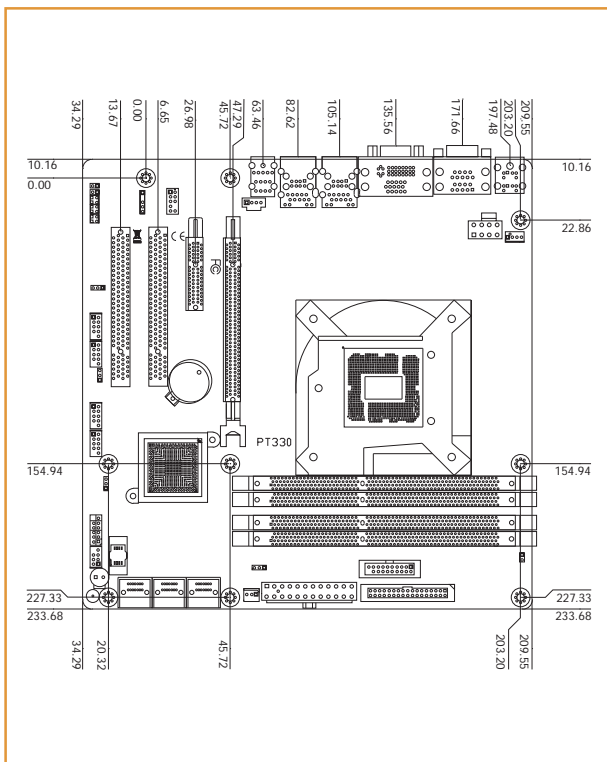
Desktop



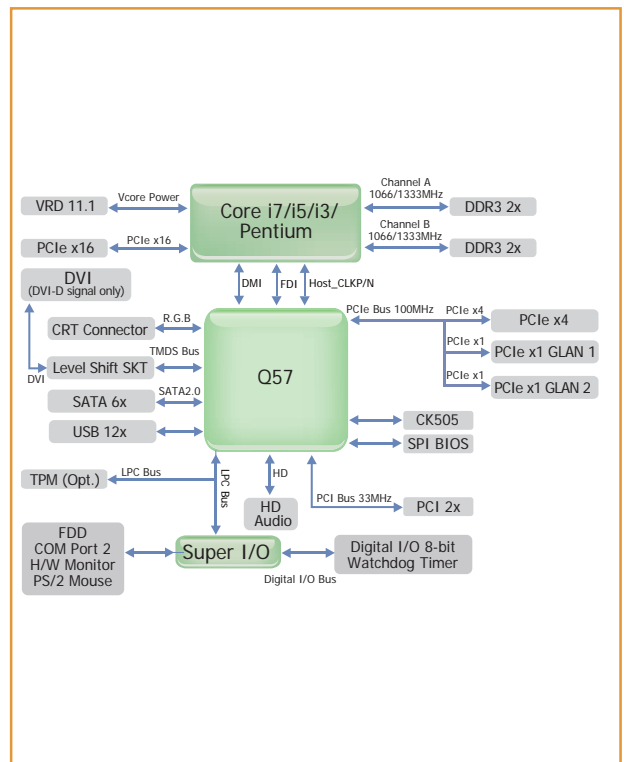
Features

CHIPSET	Intel® Q57
CPU	Intel® Core™ i7/i5/i3 Intel® Pentium®
MEMORY	4 DDR3 DIMM up to 16GB
EXPANSION	1 PCIe x16, 1 PCIe x4, 2 PCI
DISPLAY OUTPUTS	1 DVI-I (DVI-D signal), 1 VGA
LAN	2 Gigabit LAN ports
COM	2 COM
USB	12 USB 2.0
STORAGE	6 SATA 2.0 1 FDD
DIO	8-bit DIO

Mechanical Drawing



Block Diagram



Specifications

PROCESSOR

- LGA 1156 socket for:
 - Intel® Core™ i7-860 2.80GHz/8M
 - Intel® Core™ i5-750 2.66GHz/8M
 - Intel® Core™ i5-660 3.33GHz/4M
 - Intel® Core™ i3-540 3.06GHz/4M
 - Intel® Pentium® G6950 2.80GHz/3M

CHIPSET

- Intel® Q57 Express chipset

SYSTEM MEMORY

- Four 240-pin DDR3 DIMM sockets
- Supports DDR3 1066/1333MHz
- Supports maximum memory bandwidth of 21GB/s in dual-channel mode when using DDR3 1333MHz
- Supports dual channel memory interface
- Supports up to 16GB system memory

EXPANSION SLOTS

- 1 PCI Express x16 slot (PCIe 2.0)
- 1 PCI Express x4 slot (PCIe 1.0)
- 2 PCI slots (PCI 2.3)

ONBOARD GRAPHICS FEATURES

- Intel® HD Graphics
- VGA display resolution up to 2048x1536
- Supports 3D, 2D and video capabilities
- Note: Both Intel® Core™ i7-860 and Core™ i5-750 CPUs does not support integrated graphics.

ONBOARD AUDIO FEATURES

- Realtek ALC262 2-channel High Definition Audio
- Two 24-bit stereo DACs and three 20-bit stereo ADCs
- S/PDIF audio interface

ONBOARD LAN FEATURES

- One Realtek RTL8111DL PCI Express Gigabit Ethernet controller
- One Intel W82578DM with iAMT6.0 Gigabit Ethernet PHY
- Supports 10Mbps, 100Mbps and 1Gbps data transmission
- IEEE 802.3 (10/100Mbps) and IEEE 802.3ab (1Gbps) compliant

SERIAL ATA (SATA) INTERFACE

- 6 Serial ATA ports compliant with SATA 1.0 specification
- SATA speed up to 3Gb/s (SATA 2.0)
- Supports RAID 0/1/5/10

INTEL ACTIVE MANAGEMENT TECHNOLOGY (AMT)

- Supports iAMT6.0
- Out-of-band system access
- Remote troubleshooting and recovery
- Hardware-based agent presence checking
- Proactive alerting
- Remote hardware and software asset tracking

TRUSTED PLATFORM MODULE (TPM) - optional

- Provides a Trusted PC for secure transactions
- Provides software license protection, enforcement and password protection

BIOS

- AMI BIOS
- 64Mbit SPI BIOS

REAR PANEL I/O PORTS

- 1 mini-DIN-6 PS/2 mouse port
- 1 mini-DIN-6 PS/2 keyboard port
- 2 DB-9 RS232 serial ports
- 1 DB-15 VGA port
- 1 DVI-I port (DVI-D signal only)
- 2 RJ45 LAN ports
- 4 USB 2.0/1.1 ports
- Mic-in, line-in and line-out

I/O CONNECTORS

- 4 connectors for 8 external USB 2.0/1.1 ports
- 1 8-bit Digital I/O connector
- 1 front audio connector for line-out and mic-in jacks
- 1 CD-in connector
- 1 S/PDIF connector
- 6 Serial ATA ports
- 1 FDD connector
- 1 24-pin ATX power connector
- 1 8-pin 12V power connector
- 1 chassis intrusion connector
- 1 front panel connector
- 2 fan connectors

ENERGY EFFICIENT DESIGN

- ACPI v3.0 specification
- System Power Management
- Wake-On-Events include:
 - Wake-On-PS/2 Keyboard/Mouse
 - Wake-On-USB Keyboard/Mouse
 - Wake-On-LAN
- AC power failure recovery

DAMAGE FREE INTELLIGENCE

- Monitors CPU/system temperature and overheat alarm
- Monitors VCore/5V/3.3V/V_DIMM/12V/5VSB voltages and failure alarm
- Monitors CPU/system fan speed and failure alarm
- Read back capability that displays temperature, voltage and fan speed
- Watchdog timer function

POWER CONSUMPTION

- 63.87 W with i7-860 at 2.80GHz and 2x 2GB DDR3 DIMM

TEMPERATURE

- 0°C to 60°C

HUMIDITY

- 10% to 90%

DIMENSIONS

- microATX form factor
- 244mm (9.6") x 244mm (9.6")

CERTIFICATION

- CE
- FCC Class B
- UL
- RoHS

Packing List

- 1 PT330-DRM motherboard
- 2 USB cables
- 2 Serial ATA data cables
- 2 Serial ATA power cables
- 1 I/O shield
- 1 CD
- 1 QR (Quick Reference)

Optional Items

- USB port cable
- COM port cable
- Serial ATA data cable
- Serial ATA power cable
- I/O shield