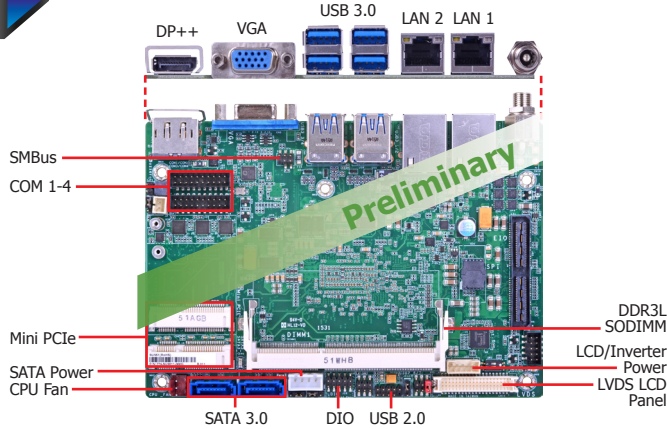
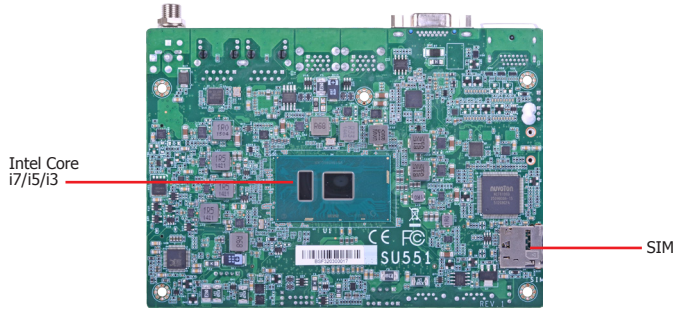


SU551

ULT



Top View



Bottom View

Features

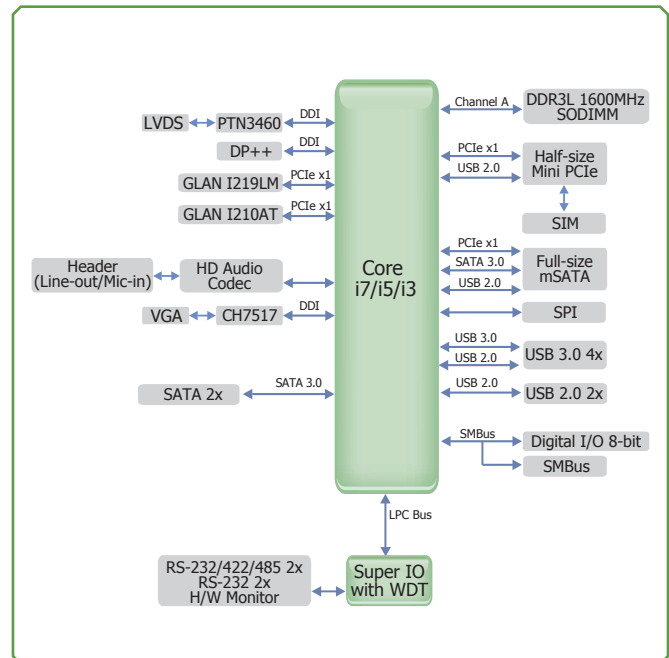
- 1 DDR3L SODIMM up to 8GB
- Three independent displays: VGA + LVDS + DP++
- DP++ resolution up to 4096x2304 @ 60Hz
- Wireless communication: Mini PCIe with SIM slot
- Rich I/O: 2 Intel GbE, 4 COM, 4 USB 3.0, 2 USB 2.0



Mechanical Drawing



Block Diagram



Specifications

SYSTEM	Processor	6th Generation Intel® Core™ Processors, BGA 1356 Intel® Core™ i7-6600U Processor, Dual Core, 4M Cache, 2.6GHz (3.4GHz), 15W Intel® Core™ i5-6300U Processor, Dual Core, 3M Cache, 2.4GHz (3.0GHz), 15W Intel® Core™ i3-6100U Processor, Dual Core, 3M Cache, 2.3GHz, 15W Intel® Celeron® Processor 3955U, Dual Core, 2M Cache, 2.0GHz, 15W
	Memory	One 204-pin SODIMM up to 8GB Single Channel DDR3L 1600MHz
	BIOS	Insyde SPI 128Mbit
	GRAPHICS	Controller Intel® HD Graphics GT Series
GRAPHICS	Feature	OpenGL 5.0, DirectX 12, OpenCL 2.1 HW Decode: AVC/H.264, MPEG2, VC1/WMV9, JPEG/MJPEG, HEVC/H265, VP8, VP9 HW Encode: AVC/H.264, MPEG2, JPEG, HEVC/H265, VP8, VP9
	Display	1 x VGA VGA: resolution up to 2560x1600 @ 60Hz 1 x LVDS LVDS: dual channel 48-bit, resolution up to 1920x1200 @ 60Hz 1 x DP++ DP++: resolution up to 4096x2304 @ 60Hz
	Triple Displays	VGA + LVDS + DP++
EXPANSION	Interface	1 x Full-size Mini PCIe (PCIe/USB/SATA, SATA by default) 1 x Half-size Mini PCIe (PCIe/USB, PCIe by default) 1 x SIM (supported by half-size Mini PCIe)
AUDIO	Audio Codec	Realtek ALC888S-VD2-GR
ETHERNET	Controller	1 x Intel® I210AT PCIe (10/100/1000Mbps) 1 x Intel® I219LM PCIe with iAMT11.0 (10/100/1000Mbps) (only Core i7/i5 supports iAMT)
REAR I/O	Ethernet	2 x GbE (RJ-45)
	USB	4 x USB 3.0
	Display	1 x VGA 1 x DP++
INTERNAL I/O	Serial	2 x RS-232/422/485 (RS-232 w/ power) (2.0mm pitch) 2 x RS-232 (2.0mm pitch)
	USB	2 x USB 2.0 (2.0mm pitch)
	Display	1 x LVDS LCD Panel Connector 1 x LCD/Inverter Power
	Audio	1 x Audio (Line-out/Mic-in)
	SATA	2 x SATA 3.0 (up to 6Gb/s) 1 x SATA Power
	DIO	1 x 8-bit DIO
	SMBus	1 x SMBus
	WATCHDOG TIMER	Output & Interval
POWER	Type	Single 12V +/-10% DC
	Connector	Right Angle Connector (4-pin) DC Jack (available upon request) Vertical Type Connector (4-pin) (available upon request)
	Consumption	Typical: 6300U:12V @ 0.40A (4.80Watt) Max.: 6300U:12V @ 2.08A (24.96Watt)
	RTC Battery	CR2032 Coin Cell
OS SUPPORT	Microsoft	Windows 7 (/WES7) 32/64-bit Windows 8.1 (64-bit) Windows 10 IoT Enterprise 64-bit
	Linux	Debian 8 (with VESA graphic driver) CentOS 7 (with VESA graphic driver) Ubuntu 15.10 (Intel graphic driver available)
ENVIRONMENT	Temperature	Operating: 0 to 60°C Storage: -40 to 85°C
	Humidity	Operating: 5 to 90% RH Storage: 5 to 90% RH
	MTBF	SU551 : 430,978 hrs @ 25°C; 253,129 hrs @ 45°C ; 157,798 hrs @ 60°C Calculation model: Telcordia Issue 2, Method I Case 3 Environment: GB, GC – Ground Benign, Controlled
MECHANICAL	Dimensions	3.5" SBC Form Factor 146mm (5.75") x 102mm (4.02")
	Height	PCB: 1.6mm Top Side: TBD, Bottom Side: TBD

Ordering Information

Model Name	P/N	Processor	Memory	GbE	RS-232/422/485	RS-232	USB 3.0	USB 2.0	Power	Thermal	Temp.
SU551-NB-6300U	770-SU5511-000G	i5-6300U	1 SODIMM	2	2	2	4	2	12V DC	Fanless	0 to 60°C
SU551-NB-3955U	770-SU5511-100G	3955U	1 SODIMM	2	2	2	4	2	12V DC	Fanless	0 to 60°C

Note: i7-6600U and i3-6100U are supported upon request with MOQ requirement.

Packing List

• 1 SU551 board	
• 1 COM port cable (Length: 300mm)	A81-015020-001G
• 1 Serial ATA data cable (Length: 500mm)	332-553001-005G
• 1 Serial ATA power cable (Length: 250mm)	A81-004041-016G
• 1 DVD	
• 1 Heat sink (Height: 25mm)	A71-011061-000G

Optional Items

• USB port cable (Length: 200mm)	A81-001032-016G
• COM port cable (Length: 300mm)	A81-015020-001G
• Serial ATA data cable (Length: 500mm)	332-553001-005G
• Serial ATA power cable (Length: 250mm)	A81-004041-016G
• Power adapter (60W, 12V, Level 6) (Length: TBD)	671-106012-000G
• Power adapter (120W, 12V) (Length: TBD)	TBD
• Heat spreader (Height: 11mm)	A71-011078-000G
• 1 Audio cable (Length: 160mm)	A81-022007-016G